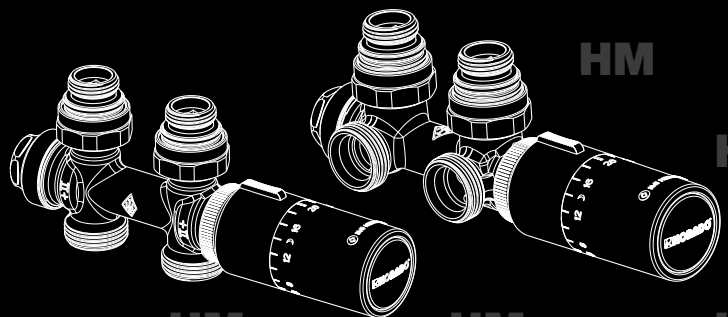


HM FITTINGS

Connection fittings for RADIK®, KORALUX® a KORATHERM®



HM FITTINGS

Description

Connection fittings HM have been specially developed for steel panel radiators RADIK PLAN (LINE) VERTIKAL - M, i.e. radiators without valve and with bottom connection with a connecting pitch of 50 mm. They can also be used for all other KORALUX and KORATHERM radiators with the same type of connection to the heating system.

It is the integrated fittings, i.e. the body of the fittings has an integrated valve and an adjustable screw connection so it is possible to disconnect the radiator from the heating system without interrupting operation.

The fittings enable to preset the flow rate of the radiator, its closure at the inlet and outlet and thanks to the thermostatic head also regulation of the heat output of the radiator in relation to the temperature in the heated room. The presetting level is given by the number of turns on the plug of the adjustment screw connection from the "closed" position. Presetting of the regulation level is reproducible, i.e. when the flow is closed and then opened again, there is no change in the set regulation level.

Delivery equipment

The following parts of HM fittings are delivered as standard:

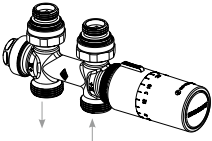
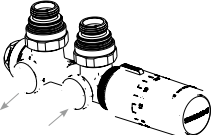
- integrated fittings in straight or angular design
- thermostatic head in RAL 9010 white or chrome
- 2x reduction G 1/2 to G 3/4 with sealing "O" ring
- 2x flat sealing pieces from EPDM rubber
- assembly and operating instructions

Subject to special request, the following can be supplied:

- universal cover for the fittings in RAL 9010 white
- universal cover for the fittings in chrome

How to order

HM FITTINGS

	Design	Colour of the thermostatic head	Order number
	Straight	RAL 9010 white	Z-D040
		Chrome	Z-D041
	Angular	RAL 9010 white	Z-D042
		Chrome	Z-D043

HM Fitting Cover

Universal	RAL 9010 white	Z-D027
	Chrome	Z-D028

Use

The fittings are designed for two-pipe pressurized heating systems. They can be used for the following range of KORADO radiators:

Product range	Radiator model
RADIK	RADIK PLAN VERTIKAL - M
	RADIK LINE VERTIKAL - M
	RADIK PREMIUM (Bottom connection only)
	RADIK PLAN PREMIUM (Bottom connection only)
	RADIK LINE PREMIUM (Bottom connection only)
KORALUX	KORALUX LINEAR MAX - M
	KORALUX LINEAR COMFORT - M
	KORALUX LINEAR CLASSIC - M
	KORALUX LINEAR EXCLUSIVE - M
	KORALUX RONDO MAX - M
	KORALUX RONDO COMFORT - M
KORATHERM	KORALUX RONDO CLASSIC - M
	KORALUX RONDO EXCLUSIVE - M
	KORALUX NEO
	KORATHERM HORIZONTAL - M
	KORATHERM VERTIKAL - M
	KORATHERM REFLEX - M
	KORATHERM AQUAPANEL

Note:

When using stand brackets Z-U580, Z-U581 for the KORATHERM HORIZONTAL - M model, HM connection fittings can be used from length L = 700 mm.

Way of connection

Connection to the heating system is accomplished using a G 3/4 external thread and a clamp connection can be used for copper, plastic, precision steel or multilayer pipes.

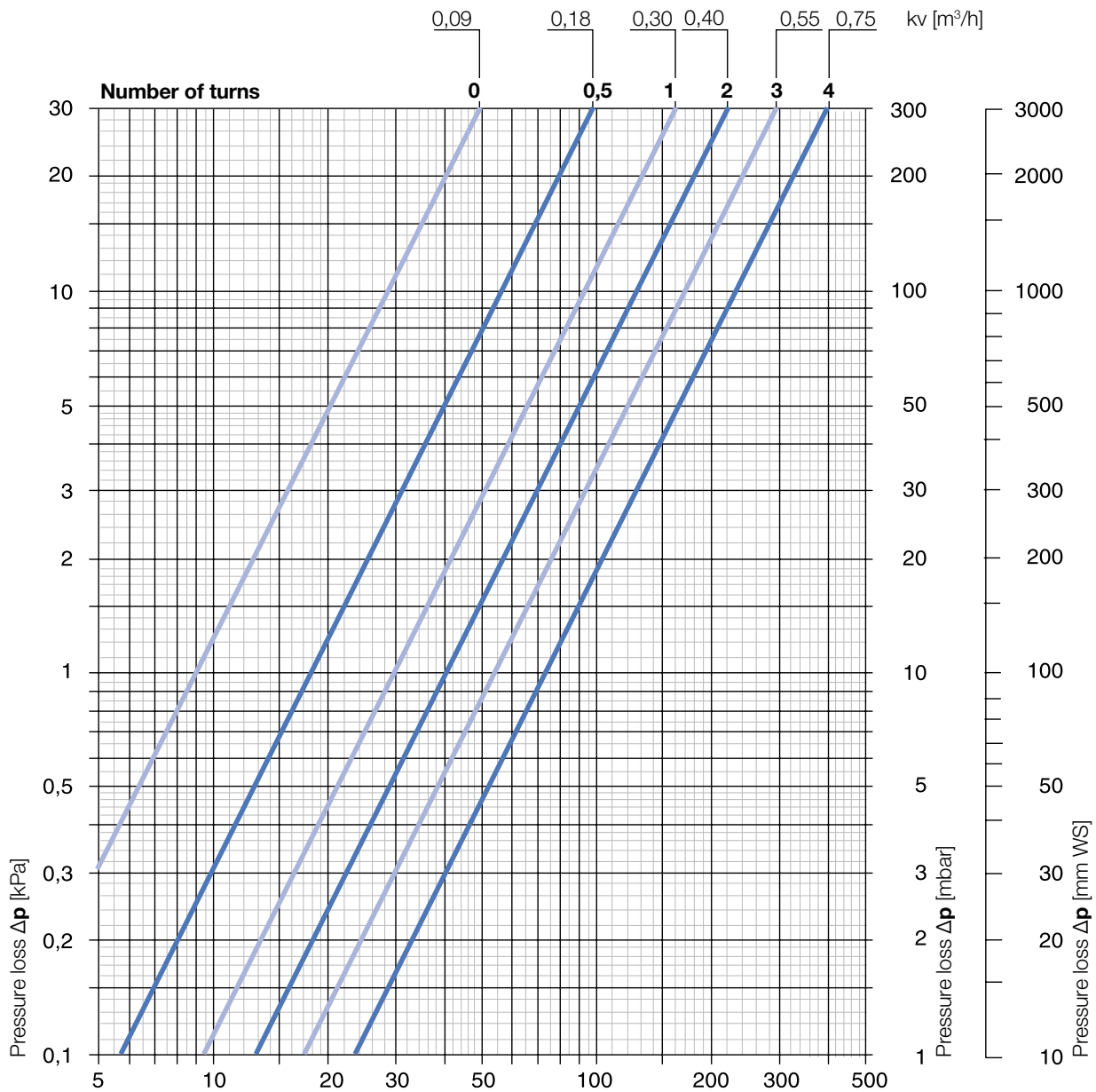
Connection of the fittings to the radiator is accomplished with the aid of a self-sealing double nipple (reduction) G 1/2 to G 3/4, which is delivered as standard.

The valve on the fittings is equipped with M 30 × 1.5 external connection threading for mounting of the thermostatic head, which is delivered as standard with the HM Connection fitting.

HM FITTINGS



Technical Data – HM Fittings



Mass flow rate m [kg/h] (with a proportional band of $X_p=2K$)

HM Fitting with thermostatic head	X_p [K]	k_v [m³/h]						k_{vs} [m³/h]	Max. temperature [°C]	Max. operational pressure [bar]	Max. pressure difference at which the valve still closes Δp [bar]
		At the preset level (Number of turns)									
		0	0,5	1	2	3	4				
DN 15 (½"); Straight and corner fittings; double-pipe heating system	1	0,09	0,17	0,22	0,25	0,28	0,38	1,10	120	10	1,0
	2	0,09	0,18	0,30	0,40	0,55	0,75				

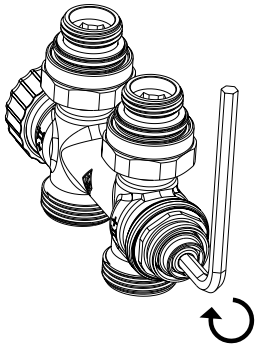
HM Fittings are preset to level 4 – fully open

Technical data – thermostatic head

- M 30 × 1.5 connection thread
- range of setting values 6°C to 28°C
- possibility of blocking or limiting the setting range for required values
- RAL 9010 white or chrome

HM FITTINGS

Operation



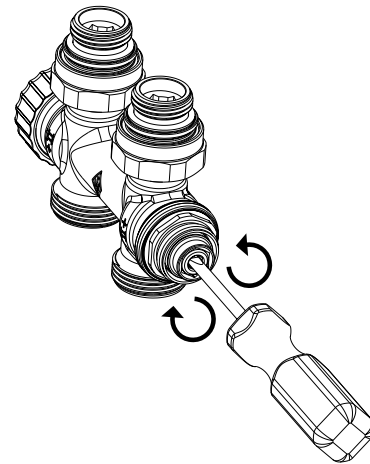
Closing

The closing plug on the fittings' adjustment screw connection is operated using a socket-screw key (Allen key) no. 5 – position 1. It is closed by turning it to the right.

The valve of the fittings can be closed off with a plastic protector (position 2) by turning it to the right. The plastic valve cover has mainly a protective function. When used for closing and opening the flow, its lifespan is limited for this function.

Note:

It is possible to drain the radiator after closing the inlet and outlet pipes, using a special device from the range on offer by HEIMEIER (IMI INTERNATIONAL) called "Draining device – order no.0301-00.102" and after connection of a 1/2" pipe.

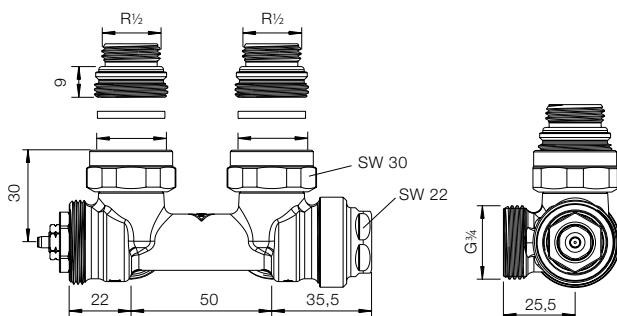


Presetting

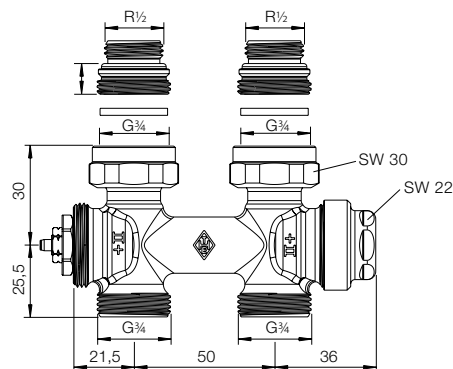
Set the closing plug on the fittings' adjustment screw connection to the "closed" position according to the "Closing" point. Use a 4mm screwdriver (position 3) to screw the adjustment plug as far as it will turn to the right. Then perform the required presetting by turning the screwdriver to the left by the required number of turns. Set the closing plug back to the "open" position.

Dimensions

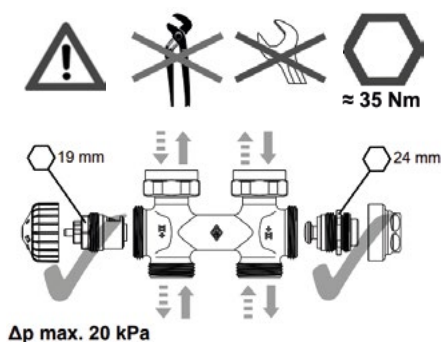
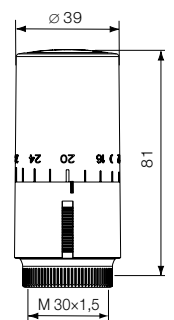
Angular design



Straight design



Thermostatic head



KORADO, a.s.
 Bří Hubálků 869
 560 02 Česká Třebová
 Tel.: +420 465 506 777
 e-mail: info@korado.cz
 www.korado.com